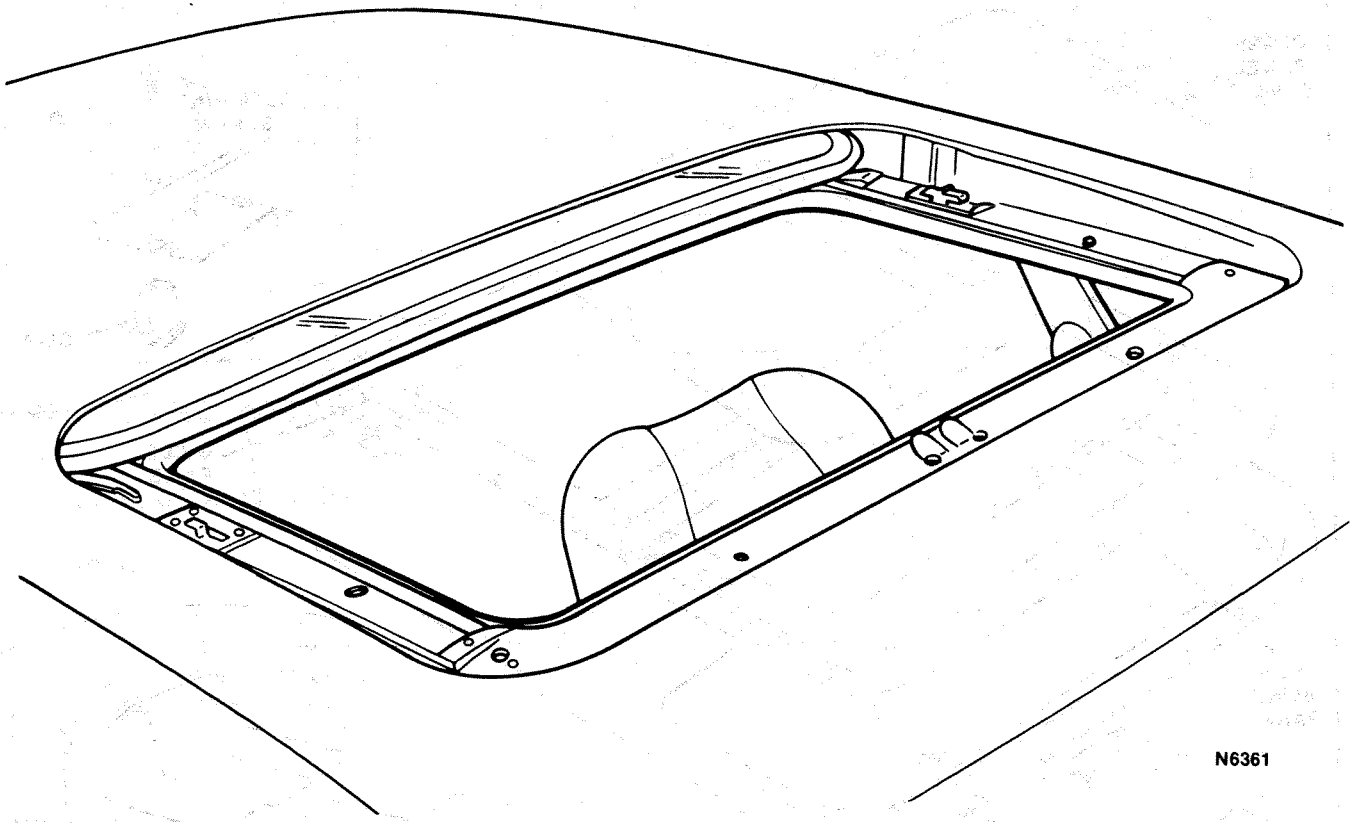


SECTION 46-11 TILT / SLIDE MOONROOF

CONTENTS

	Page
DESCRIPTION	2
ADJUSTMENTS	3
REMOVAL AND INSTALLATION	
Tilt/Slide Moonroof	3
Outer Sliding Roof Panel	5
Weatherstrip	5



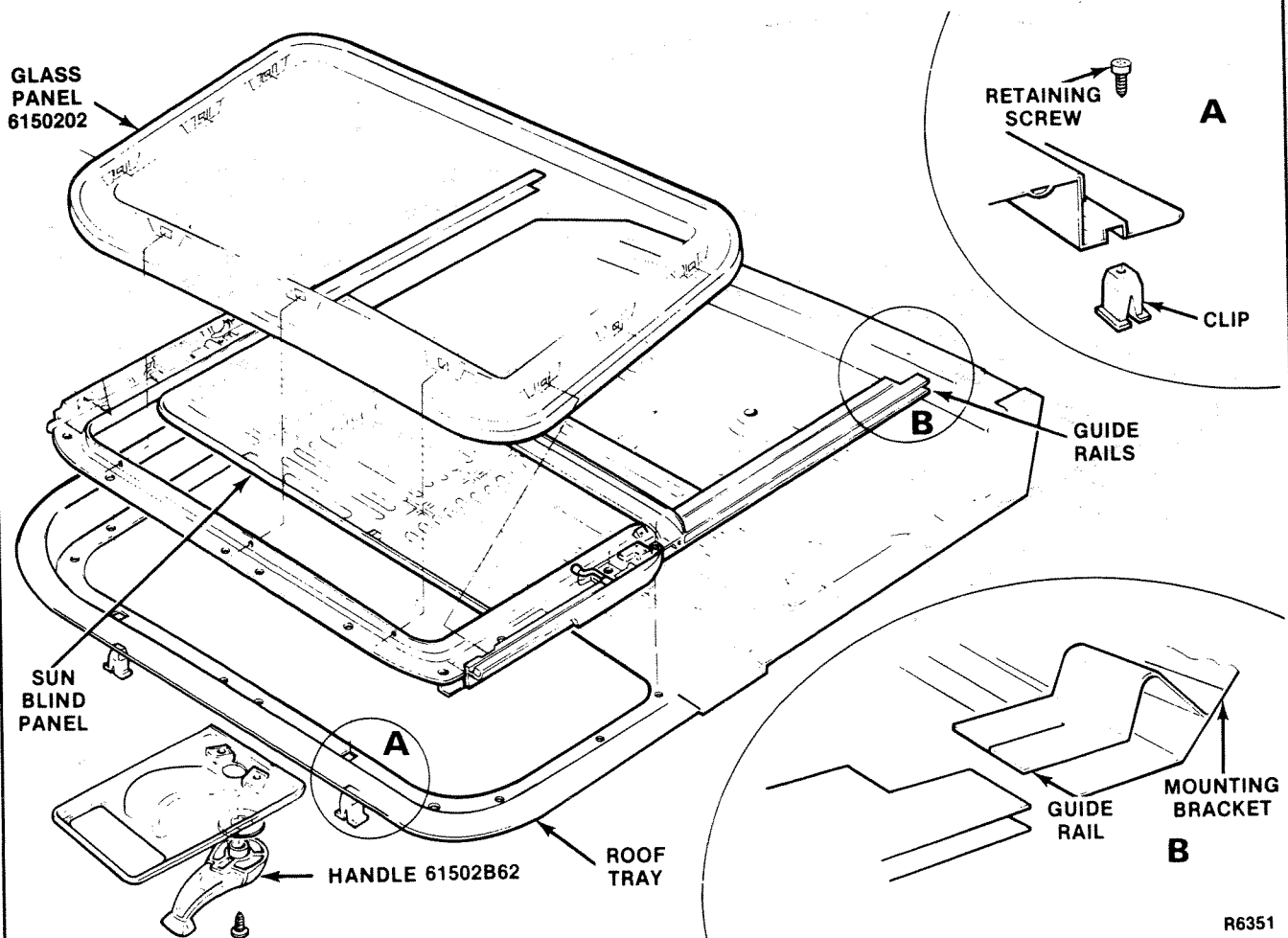
N6361

DESCRIPTION

The tilt/slide moonroof includes both slide and tilt functions. The handle is designed to allow continuous operation between the slide and tilt positions. The handle is splined to a shaft and pinion that drive two flexible cables. Each cable is attached to a slide that moves on the guide rails. The left and right slides are attached by mounting brackets to the rear of the sliding panel. Front guides attached to the front of the sliding panel slide on the left and right guide rails, respectively. The handle is operated by pulling it down from its stowed position and turning counterclockwise to open, and clockwise to close. The back edge of the moonroof may also be tilted upward by cranking the handle one turn clockwise beyond the closed position.

The glass panel itself is made of palladium-coated glass, which allows additional light into the vehicle interior with the moonroof closed, while providing a degree of screening against direct sunlight. A sliding slatted sunblind panel is also fitted immediately below the glass panel to allow the area of roof panel exposed to be adjusted at will. The combined effect of these features gives a high degree of control over interior environment. Drain tubes located in the four corners of the moonroof frame carry surplus water away via the "A" (windshield) pillars and "C" (rear) pillars.

If wind noise and/or waterleaks are to be avoided, it is important that the moonroof be properly adjusted.

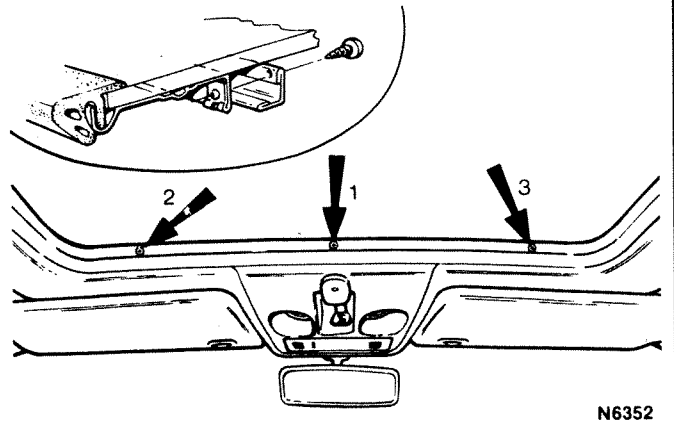


R6351

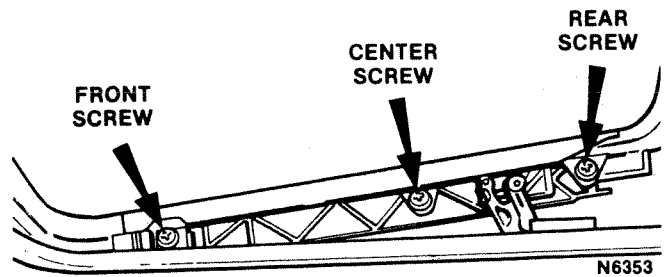
ADJUSTMENTS

NOTE: In all operations involving the removal and installation of the tilt/slide moonroof, be sure to handle the mechanism with care to avoid damage to the surrounding paintwork and trim.

1. Open and close the moonroof from the tilted position. It should not stick or bind during operation. If binding occurs, check the alignment of the moonroof panel relative to the roofline and adjust as follows:
2. Remove the three screws holding the lower frame to the glass. Slide the lower frame into the roof.



3. If the front requires adjustment, loosen the front and center screws. Adjust the height of the moonroof panel flush to 2 mm **below** the roof line and tighten the retaining screws.
4. If the rear requires adjustment, loosen the rear and center retaining screws. Adjust the height of the moonroof panel flush to 2 mm **above** the roof line and tighten the retaining screws.
5. Slide the lower frame forward and install the three retaining screws that hold the lower frame to the glass.

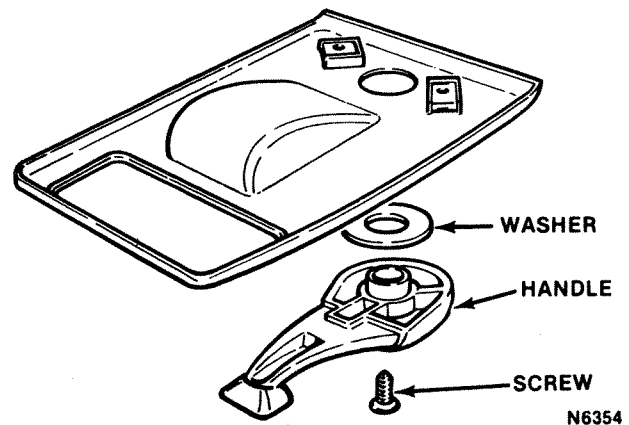


REMOVAL AND INSTALLATION

TILT/SLIDE MOONROOF ASSEMBLY

Removal

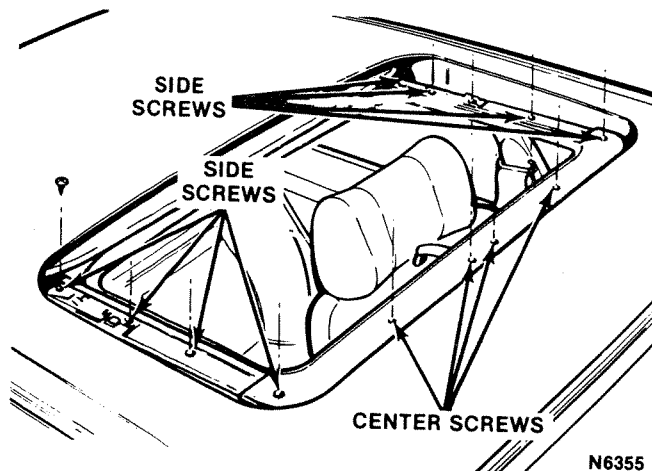
1. Turn the sliding roof handle counterclockwise until the sunroof is entirely open. Remove the screw holding the handle and detach the handle and washer.



REMOVAL AND INSTALLATION (Continued)

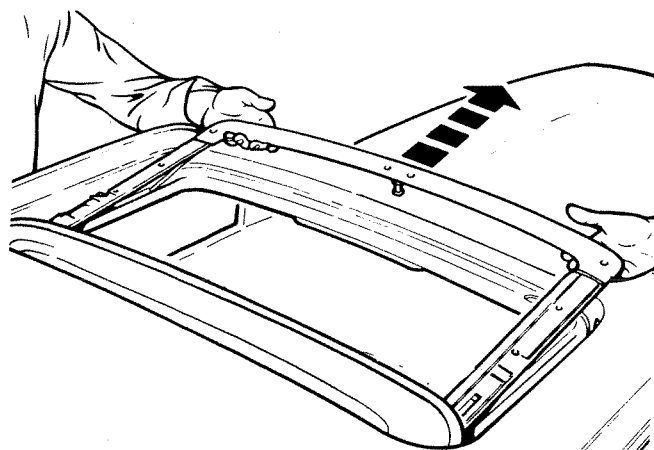
**TILT/SLIDE MOONROOF ASSEMBLY
REMOVAL (Continued)**

2. Remove the four screws on each side and the four screws in the center holding the moonroof gear to the roof tray.



N6355

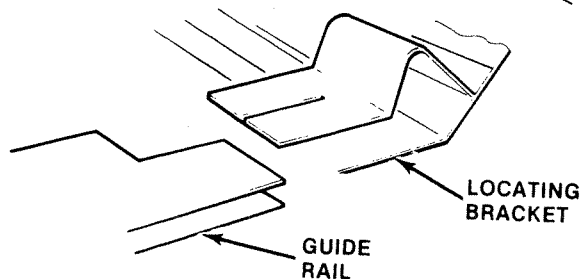
3. Raise the front of the assembly and carefully pull the moonroof assembly from the front of the moonroof opening.



N6356

Installation

1. Insert the assembly into the opening in the car roof. Be sure the guide rails are fit into their locating brackets.



N6357

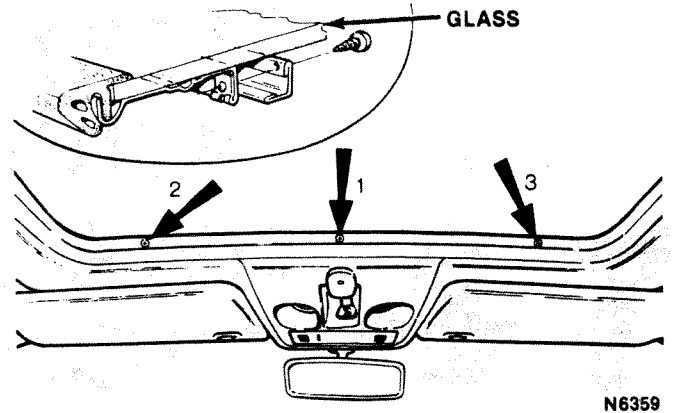
2. Install the four screws on each side and in the center that hold the sliding gear to the tray.
3. Install the handle and adjust the moonroof as necessary.

REMOVAL AND INSTALLATION (Continued)

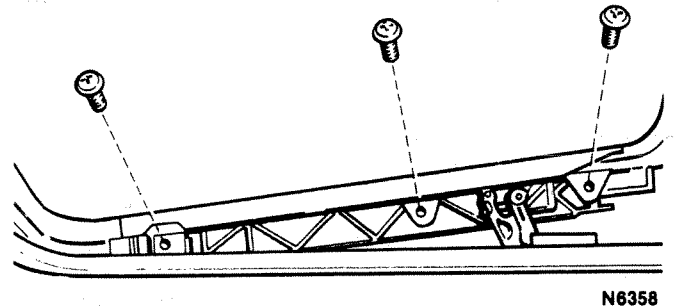
OUTER SLIDING ROOF PANEL

Removal

1. Pull the sunblind into the open position. Remove the three screws connecting the lower frame of the moonroof to glass.



2. Remove the three screws and clips on each side connecting the moonroof gear to glass.
3. Push the glass out to the exterior side of the roof opening.



Installation

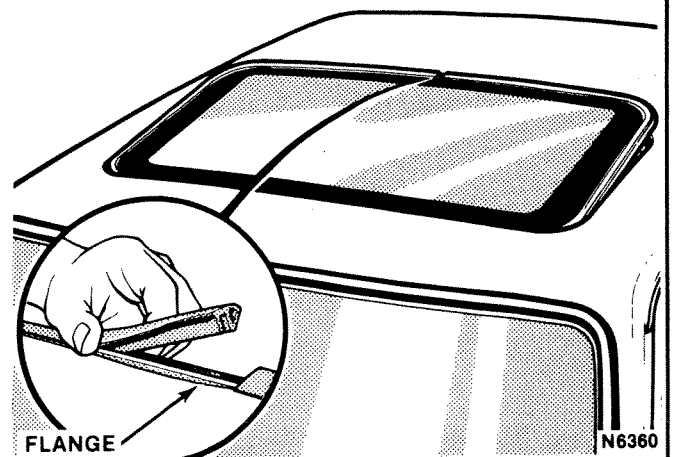
1. Install the glass into the roof opening. Install the three screws on each side of the roof gear.
2. Adjust the glass as necessary.

3. Insert clips through the brackets on the glass frame; then install the three screws into the clips in the order 1, 2, & 3, as shown.

WEATHERSTRIP

Removal

Pull off the weatherstrip from the flange on the outer edge of the moonroof.



Installation

Install the weatherstrip onto the moonroof flange.